

Made in
Germany

Battery Gate Valve Wrench DA1-S

For gate valve assemblies and other valves



**Wide range of
accessories available!**

PLARAD[®]
Torque & Tension Systems



DA1-S

Article Number	Type	Torque Range (Nm)	Ø D (mm)	A (mm)	B (mm)	AF □	Weight (kg)
G19-013-0-05191	DA1-S	bis 1.300	93	363	245	1"	6,2



Including quick charger.



Including two 4.0 Ah lithium ion battery packs.



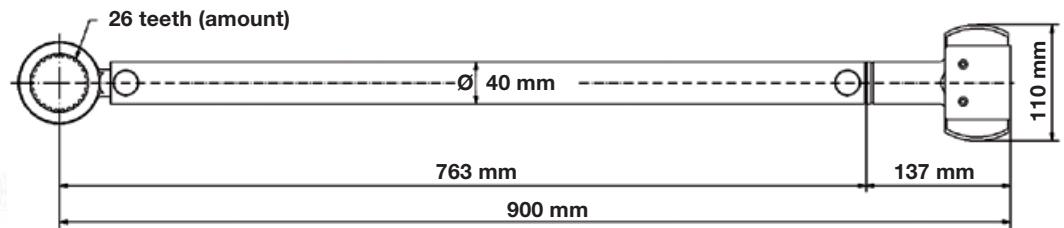
Including plastic case for transportation.

Zubehör

Reaction arm/Counter support with Wrench Adapter and optional rubber buffer

Ideal for supporting on vehicles, tiles, coated containers and sensitive surfaces.

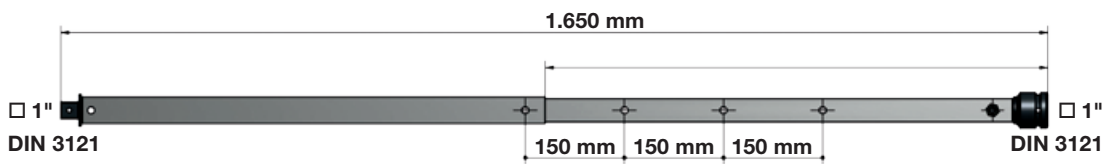
- Article numbers: F17-006-3-03302 Reaction ring adapter
 B19-011-1-00501 Reaction arm with counter support
 B19-011-1-00601 Reaction head
 B19-011-1-00101 Reaction arm complete



Telescopic extension

Stainless Steel up to max. 1.650 mm working length with 1" adapter for ergonomic working in upright position.

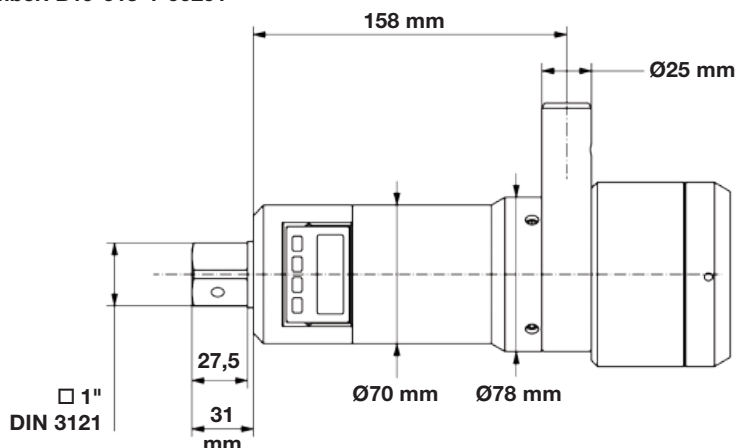
Article number: B19-011-1-00301



Rotation counter with digital display

Helps to open and close gate valve wrench by displaying amount of rotations directly on the wrench.

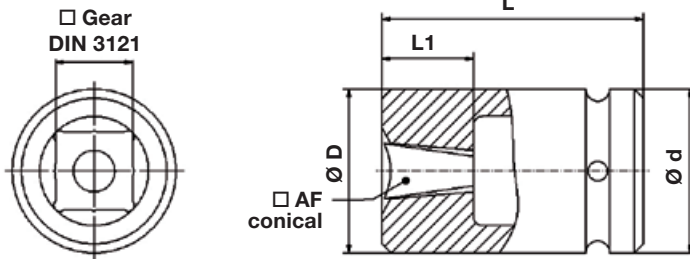
Article number: B19-013-1-00201



Conical square caps in various sizes

Optimum fit of the cap made of high-quality tool steel avoids ratcheting and premature wear.

Article Number	Type	L (mm)	L1 (mm)	Ø d (mm)	Ø D (mm)	Gear □	AF □
F97-025-7-01902	Square cap SW 19 conical	86	30	54	54	1"	19 mm
F97-025-7-02202	Square cap SW 22 conical	86	30	54	54	1"	22 mm
F97-025-7-03202	Square cap SW 32 conical	86	50	54	54	1"	32 mm



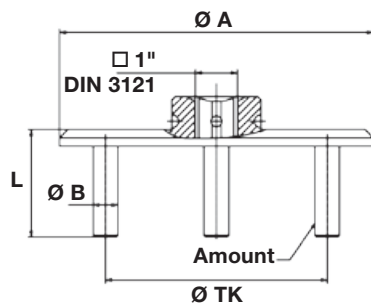
Sliding gates – reception flange for hand wheels (3 to 5 carriers)

Perfect for direct mounting the gate valve wrench on the hand wheels.

Article Number	Type	Ø A (mm)	Ø TK (mm)	Ø B (mm)	Amount	L (mm)	Gear □
B97-025-2-00302	Reception flange 1" 3 carriers	190	155	15	5x72°	65	1"
B97-025-2-00502	Reception flange 1" 5 hand wheels	190	155	15	3x120°	65	1"



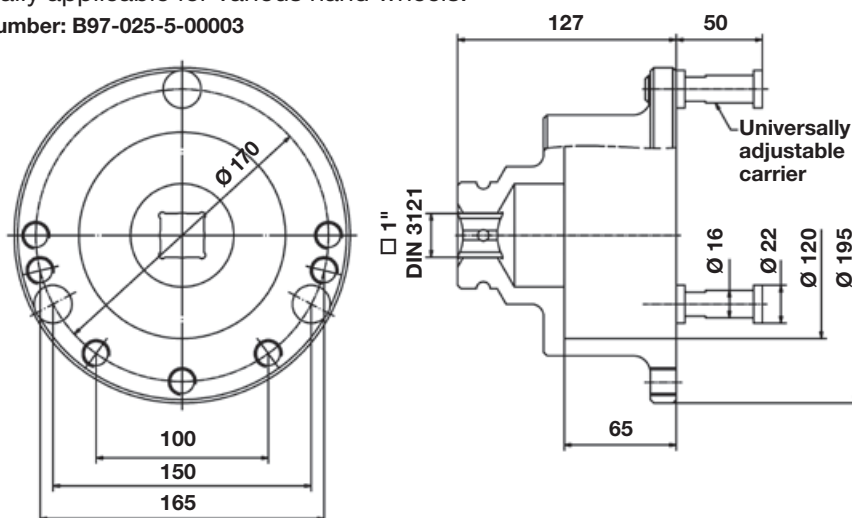
Reception flange with 3 carriers

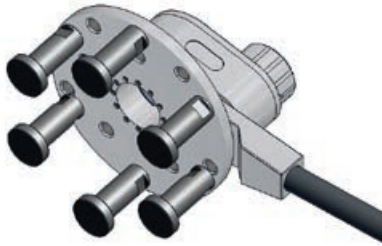


Connecting plate for hand wheels

Universally applicable for various hand wheels.

Article number: B97-025-5-00003

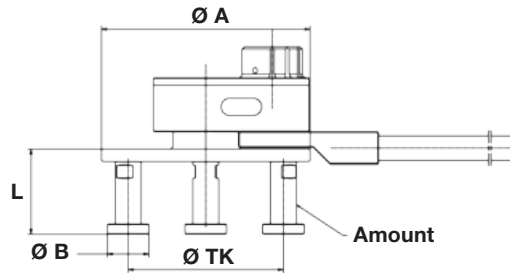




Offset gear STX 22-02 TL-S

For gate valves with external spindle claws can be individually modified to various diameters and models by screwing the cam into the thread.

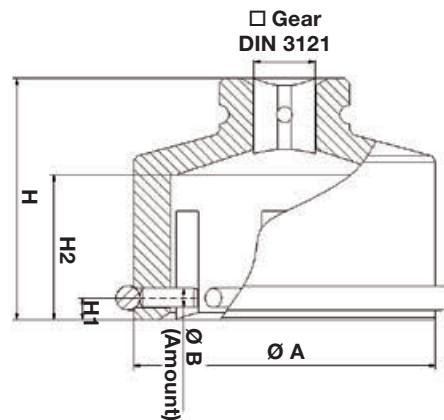
Article Number	Type	Ø A (mm)	Ø TK (mm)	Ø B (mm)	Amount	L (mm)
G10-022-0-00506	Offset gear STX 22-02 TL-S	255	219	50,8	6x60°	104



Mounting for above-ground hydrants

For example inlay with hexagon socket SW 70 mm or special socket for ring holes.

Article Number	Type	Ø A (mm)	Ø B (mm)	Amount	H (mm)	H1 (mm)	H2 (mm)	Gear □
B97-025-1-09010	Ring hole socket	125	8	6	100	9	60	1"



... a successful connection!

Maschinenfabrik Wagner GmbH & Co. KG
 Birrenbachshöhe · 53804 Much · Germany

Phone national: (02245) 62-0
Fax national: (02245) 62-66
Phone international: +49 (0)2245 62-10
Fax international: +49 (0)2245 62-22

info@plarad.com · www.plarad.com

Reproduction and copying of this volume, in whole or in part, is permissible only with express written permission. Subject to amendment. We take no responsibility for printing errors or inaccurate information.
 Version: 2015/04/30 · EK 10387 - 210 EN